

4-WAY TOGGLE VALVES



Fill and Bleed Applications

The FBV-3 may be used to pressurize or "fill" a chamber or bladder by depressing the toggle in one direction and then de-pressurize or "bleed" that same chamber or bladder by depressing the toggle in the other direction. Toggling back and forth between the inlet and exhaust provides a fine adjustment of the required pressure in the chamber or bladder.

Model Number				
FBV-3D & FBV-3D-F FBV-3DP	#10-32 1/8" NPT	Detented	SPRING CENTERED all ports blocked	Detented
FBV-3M & FBV-3M-F FBV-3MP	#10-32 1/8" NPT	Momentary		Momentary
FBV-3DM & FBV-3DM-F FBV-3DMP	#10-32 1/8" NPT	Detented		Momentary

Medium: Air

Materials: Brass body, Buna-N seals, stainless steel stem and spring

Input Pressure: 120 psig max.

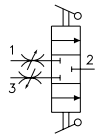
Air Flow:

Adjustable	Full-Flow (-F)
3.0 scfm @ 50 psig	4.5 scfm @ 50 psig
5.0 scfm @ 100 psig	7.5 scfm @ 100 psig

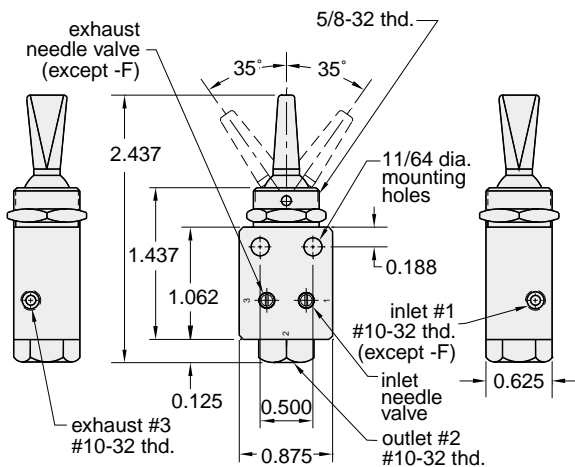
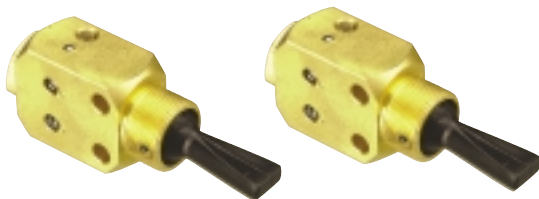
Force For Full Stem Travel: 8 oz. nominal

Toggle: Plastic

Mounting: 5/8-32 thread. Nut and lockwashers furnished.
(2) 0.171 mounting holes in body or may be mounted directly on a cylinder

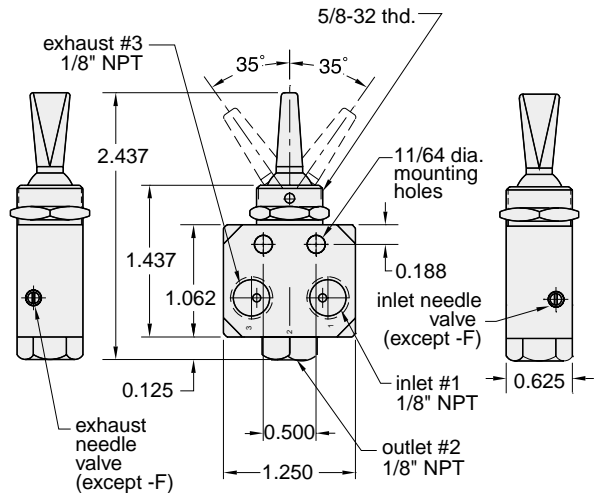
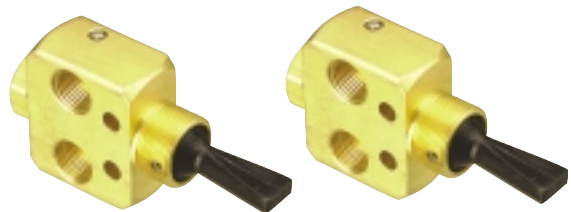


3 Position Fill & Bleed Valves, #10-32



Part No.	Description
FBV-3D	Fill & Bleed Valve, Adjustable, Detented/Detented
FBV-3D-F	Fill & Bleed Valve, Full-Flow, Detented/Detented
FBV-3M	Fill & Bleed Valve, Adjustable, Momentary/Momentary
FBV-3M-F	Fill & Bleed Valve, Full-Flow, Momentary/Momentary
FBV-3DM	Fill & Bleed Valve, Adjustable, Detented/Momentary
FBV-3DM-F	Fill & Bleed Valve, Full-Flow, Detented/Momentary

3 Position Fill & Bleed Valves, 1/8" NPT



Part No.	Description
FBV-3DP	Fill & Bleed Valve, Adjustable, Detented/Detented
FBV-3DP-F	Fill & Bleed Valve, Full-Flow, Detented/Detented
FBV-3MP	Fill & Bleed Valve, Adjustable, Momentary/Momentary
FBV-3MP-F	Fill & Bleed Valve, Full-Flow, Momentary/Momentary
FBV-3DMP	Fill & Bleed Valve, Adjustable, Detented/Momentary
FBV-3DMP-F	Fill & Bleed Valve, Full-Flow, Detented/Momentary